

VELVET Mini Power 2 Studio IP51



Ref.: VMP2STNY

Datasheet: February 2024 / Page 1

2x1/2 feet bicolor dustproof compact panoramic concentrated light LED panel

[Click here for more product information](#)

VMP2STNY includes: on board AC PSU with AC In & Out PowerCon TRUE1, DMX In & Out XLR-5, 1x yoke with 28mm junior pin - 16mm baby receiver. 3,5mts power cable with aerial PowerCon TRUE1



1. Power switch
2. PowerCon TRUE 1 AC Power In
3. PowerCon TRUE 1 AC Power Out
4. +/- Adjustment buttons
5. 3200K / 5600K Quick access button
6. Mode selection button (Dimmer / Colour Temperature)
7. Digital display
8. XLR-5 DMX RDM In connector
9. XLR-5 DMX RDM Out connector



VELVET Mini Power 2 Studio IP51



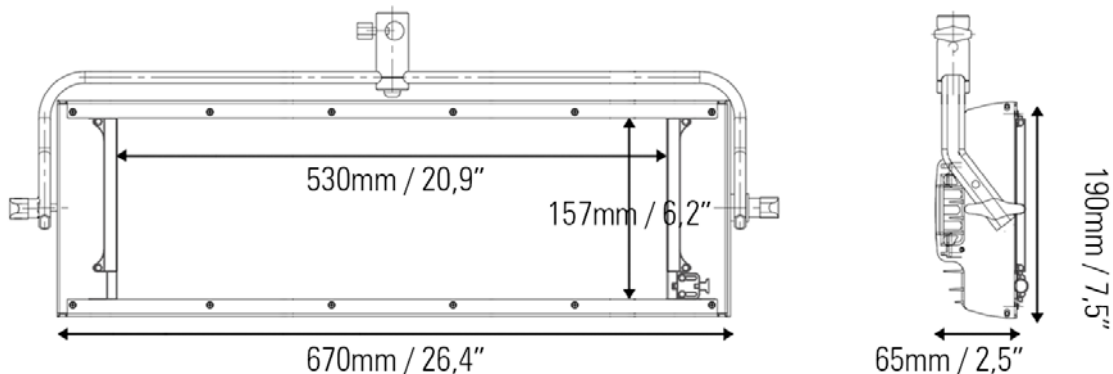
Ref.: VMP2STNY

Datasheet: February 2024 / Page 2

SPECIFICATIONS

COLOUR TEMPERATURE	Adjustable from 2700K to 6500K in 100K steps
LIGHT INTENSITY	Dimmable 0 to 100, smooth and flicker-free
LOCAL CONTROL	On-board digital control
WIRE CONTROL	DMX-RDM with XLR-5 in&out connectors
TLCI INDEX	96 at 3200K and 96 at 5600K
PHOTOMETRICS	8900 lux / 833 fc at 1m / 3 feet 1250 lux / 110 fc at 3m / 10 feet
BEAM ANGLE	35°
DIMENSIONS	670 x 190 x 90 mm (panel) 740 x 290 x 90 mm (panel + yoke)
WEIGHT	3,3 kgs / 7.2 lbs (panel) 3,7 kgs / 8.2 lbs (panel + yoke)
POWER DRAW	120 W
POWER SUPPLY	90-264 VAC 50/60Hz through PowerCon TRUE1 in&out
LED RATED LIFE	More than 50.000 hours
POWER CONNECTION	PowerCon TRUE1 in&out
OUTPUT FREQUENCY	16KHz flicker-free up to 2000fps
OPERATION TEMPERATURE	From -20°C to +40°C
COOLING	No-noise, fan-free passive cooling
PROTECTION	IP51 dustproof, indoor or outdoor protected use
VELVET LED TECHNOLOGY	Selected BIN high-power LED + custom optics + optic diffuser + CPU software control
RIGGING OPTIONS	Aluminum yoke with 16 baby receiver combined with 28 junior pin, multiple ¼-20" rigging points, multipanel yokes, pole-operated studio yoke
QUICK MOUNTING ACCESSORIES	Quarter, half and full hard diffusion, foldable Snapgrid, removable barn doors, remote control, hard case
CONSTRUCTION & FINISH	Made of black powdercoated extruded and sheet aluminum

WIRE VIEW



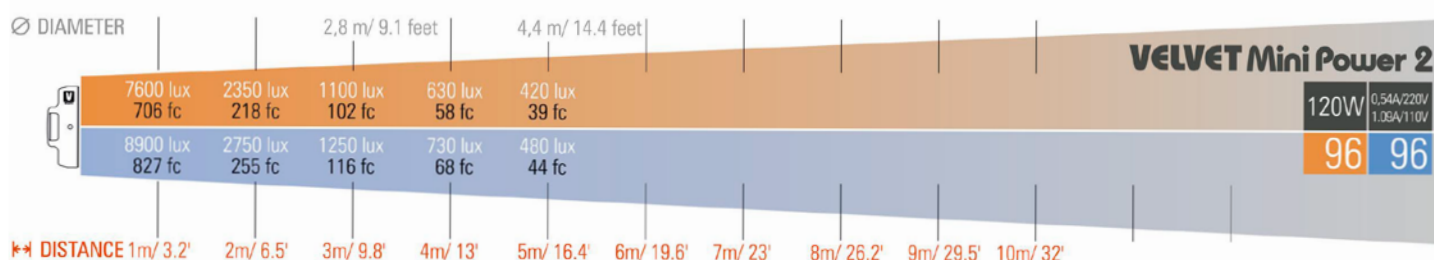
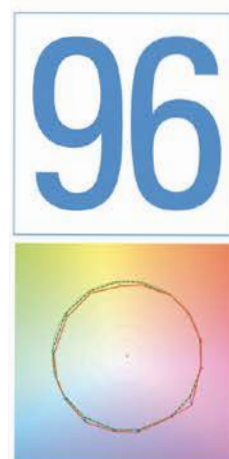
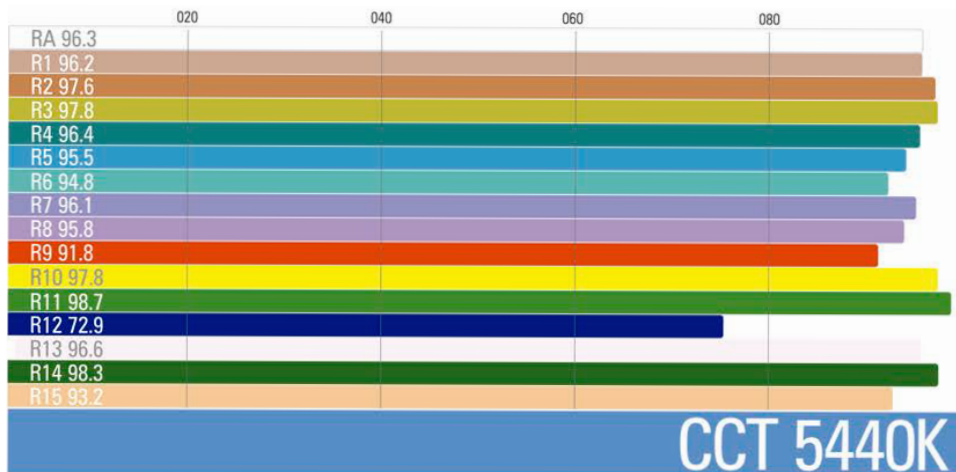
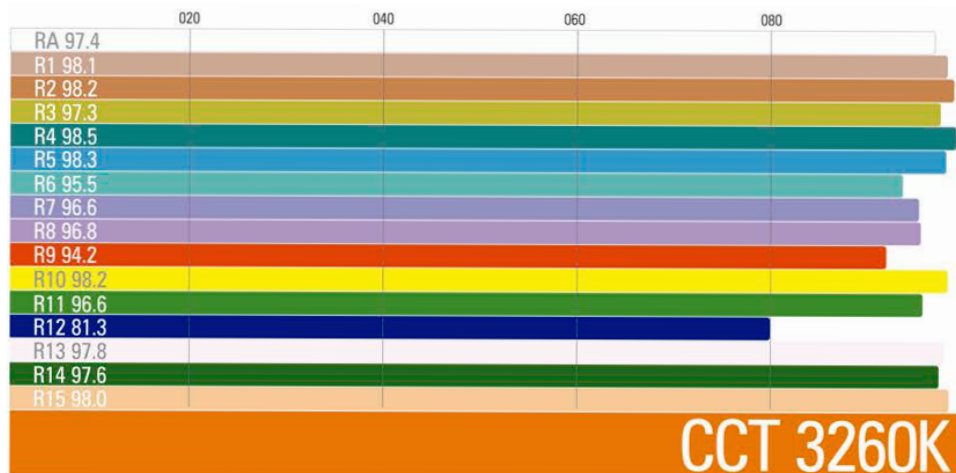
VELVET Mini Power 2 Studio IP51



Ref.: VMP2STNY

Datasheet: February 2024 / Page 3

PHOTOMETRICS



VELVET Mini Power 2 Studio IP51



Ref.: VMP2STNY

Datasheet: February 2024 / Page 4

ACCESSORIES

Mandatory accessories

POWER CABLES FOR PANEL

ACC3.5M-TRUE1



ACC3.5M-TRUE1UK



ACC3.5M-TRUE1A



ACC3.5M-TRUE1BE



RIGGING

VM2ST-YT



VM-QLS



SPIGOTS AND CLAMPS

THE-2816CTUBEK



V-CCLAMPK



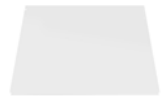
Optional accessories

BEAM CONTROL

VMP2-D25



VMP2-D50



VMP2-D100



VM2-RB



VM2-SG



VM2-SB



VM2-SGXSB



TRANSPORT

VM2-BAG



VELVET Mini Power 2 Studio IP51



Ref.: VMP2STNY

Datasheet: February 2024 / Page 5

CABLES

CAB-XLR3DCC4.5M



DMX-DMX2M



DMX-DMX3M



DMX-DMX6M



DMX-DMX10M



DMX-DMX20M



CAB-PWC2MTRUE



CAB-PWC4MTRUE



REMOTE CONTROL

VL-RC

