

# VELVET Mini 1 Studio IP51

Ref.: VM1ST

Datasheet: June 2021 / Page 1



## Bicolor dustproof AC powered compact panoramic soft light LED panels

[Click here for more product information](#)

**VM1ST includes:** 1x VELVET Mini 1 LED dustproof panel IP51 on board AC PSU with AC In & Out PowerCon TRUE1, DMX In & Out XLR-5, 1x yoke with 28mm junior pin - 16mm baby receiver. 3,5mts power cable with aerial PowerCon TRUE1



1. Power switch
2. PowerCon TRUE 1 AC Power In
3. PowerCon TRUE 1 AC Power Out
4. + / - Adjustment buttons
5. 3200K/5600K Quick button
6. Mode selection button (Dimmer / Colour Temperature)
7. Digital display
8. XLR-5 DMX RDM In connector
9. XLR-5 DMX RDM Out connector



# VELVET Mini 1 Studio IP51

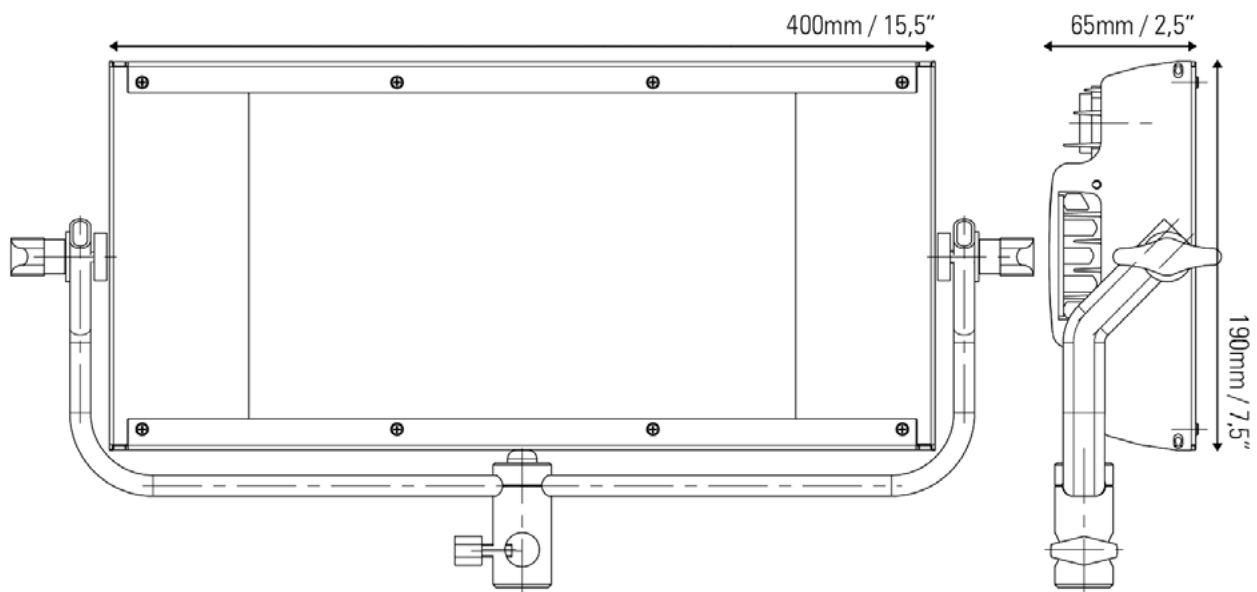
Ref.: VM1ST

Datasheet: June 2021 / Page 2



<b>COLOUR TEMPERATURE</b>	adjustable from 2700K to 6500K in 100K increments
<b>LIGHT INTENSITY</b>	dimnable 0 to 100 (smooth and flicker-free)
<b>TLCI</b>	95 at 3200K and 98 at 5600K
<b>DIMENSIONS</b>	385 x 190 x 90 mm / 15" x 7,5" x 3,5" (panel)
<b>WEIGHT</b>	2,1 kgs / 4,6 lbs (panel)
<b>POWER DRAW</b>	50W / 0,45 Amps at 110 VAC
<b>POWER SUPPLY</b>	90-264 VAC 50/60Hz through PowerCon TRUE1 in&out
<b>CONTROL</b>	On-board digital control DMX RDM remote control through XLR-5 in&out
<b>PHOTOMETRICS</b>	1.200 Lux / 111 fc at 1m / 3 feet 150 Lux / 14 fc at 3m / 10 feet
<b>BEAM ANGLE</b>	100°
<b>LED RATED LIFE</b>	more than 50.000 hours
<b>COOLING</b>	no-noise, fan-free passive cooling
<b>PROTECTION</b>	IP51 dustproof, indoor or outdoor protected use
<b>CONSTRUCTION &amp; FINISH</b>	Made of black anodized extruded aluminum and black powder coated sheet aluminum
<b>VELVET LED TECHNOLOGY</b>	Selected BIN LED + optic diffuser + CPU software control
<b>ACCESSORIES</b>	VELVET DMX remote control, foldable Snapgrid, removable barn doors, cordura case, hard case
<b>RIGGING OPTIONS</b>	aluminum yoke with 16mm baby receptacle combined with 28mm junior pin, four sliding threads 1/4" for riggings located on panel sides, double baby pin for diagonal or vertical position using the standard yoke

## WIRE VIEW



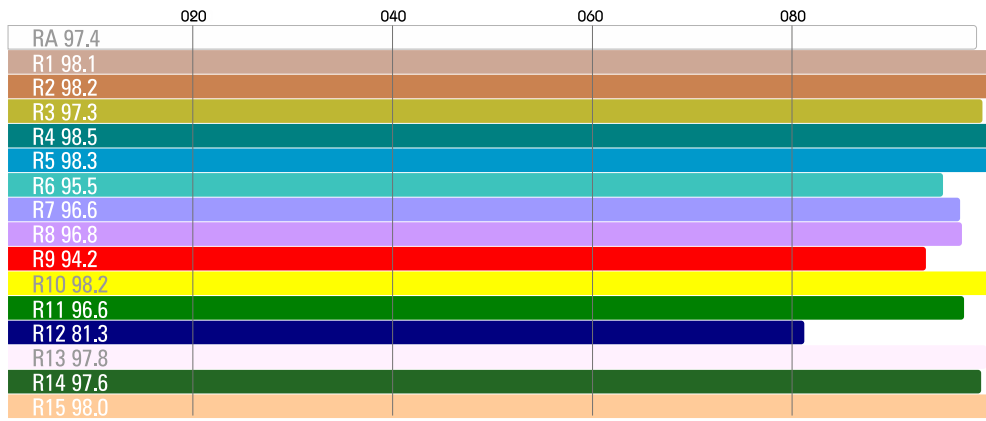
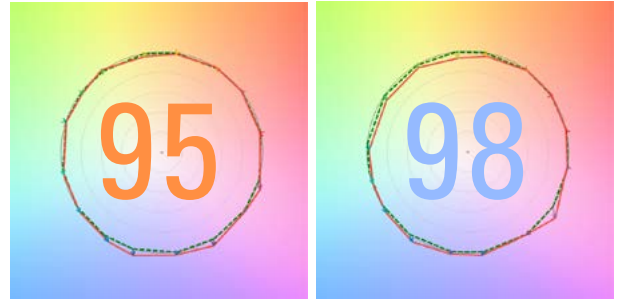
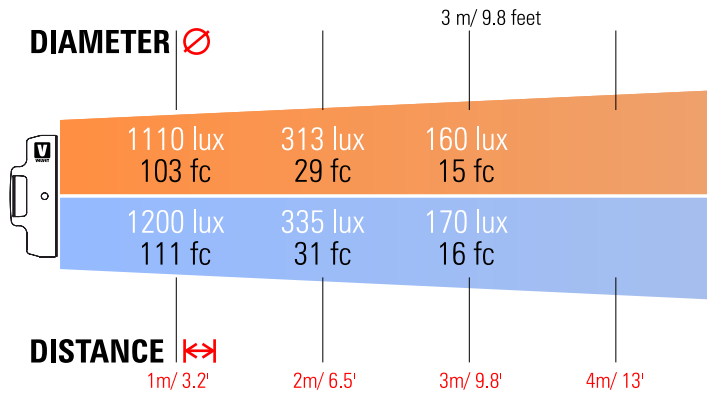
# VELVET Mini 1 Studio IP51

Ref.: VM1ST

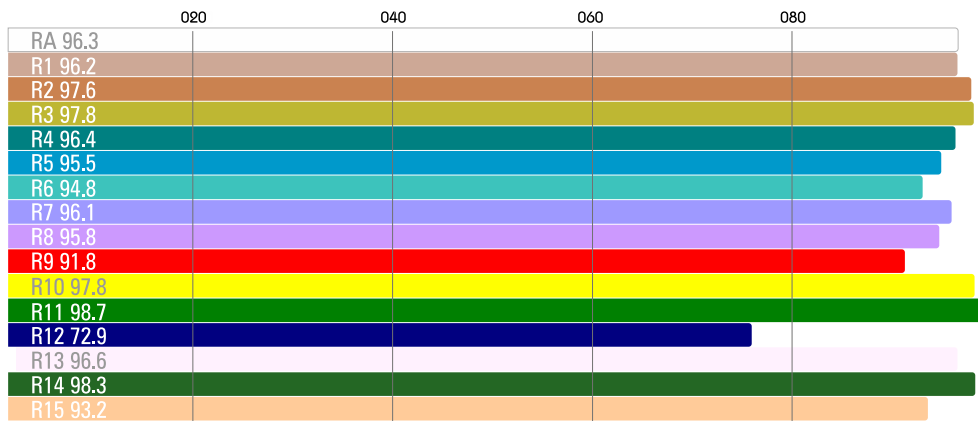
Datasheet: June 2021 / Page 3



## PHOTOMETRICS



## CCT 3231K



## CCT 5638K

# VELVET Mini 1 Studio IP51

Ref.: VM1ST

Datasheet: June 2021 / Page 4



## ACCESSORIES

### BEAM CONTROL



VM1-RB



VM1-SG

### TRANSPORT



VM1-BAG



VM1-DBAG

### REMOTE CONTROL



VL-RC