

VELVET Mini 1 IP54

Ref.: VM1IP54VL

Datasheet: June 2021 / Page 1



Bicolor weatherproof compact panoramic soft light LED panels

[Click here for more product information](#)

VM1IP54VL includes: integrated Vlock adapter, 1x yoke with 28mm junior pin - 16mm baby receiver



1. Power switch
2. Integrated VLock or Gold Adapter
3. +/- Adjustment buttons
4. 3200K / 5600K Quick access button
5. Mode selection button (Dimmer / Colour Temperature)
6. Digital display



VELVET Mini 1 IP54

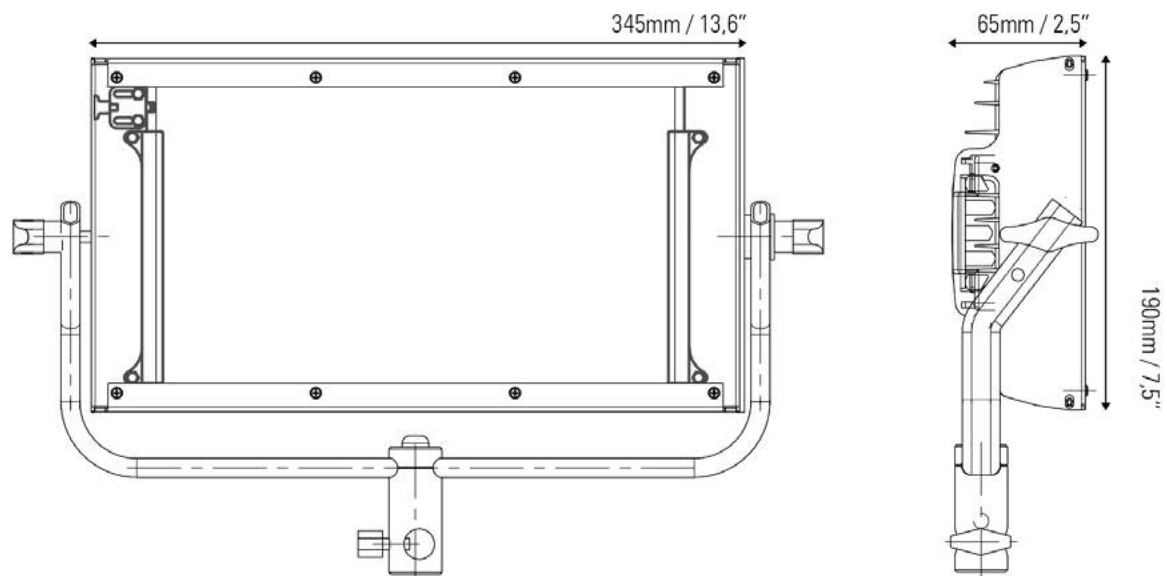
Ref.: VM1IP54VL

Datasheet: June 2021 / Page 2



COLOUR TEMPERATURE	adjustable from 2700K to 6500K in 100K increments
LIGHT INTENSITY	dimnable 0 to 100 (smooth and flicker-free)
TLCI	95 at 3200K and 98 at 5600K
DIMENSIONS	345x190x90 mm / 13,6"x7,5"x3,5" (panel)
WEIGHT	1,9 kgs / 4,2 lbs (panel)
POWER DRAW	50W / 0,45 Amps at 110 VAC
POWER SUPPLY	12 – 35 VDC through Vock battery mount plate 90-264 VAC 50/60Hz through Smart Vlock PSU
PHOTOMETRICS	1.200 Lux / 111 fc at 1m / 3 feet 150 Lux / 14 fc at 3m / 10 feet
BEAM ANGLE	100°
LED RATED LIFE	more than 50.000 hours
COOLING	no-noise, fan-free passive cooling
PROTECTION	IP54 weatherproof, indoor or outdoor use
CONSTRUCTION & FINISH	Made of black anodized extruded aluminum and black powder coated sheet aluminum
VELVET LED TECHNOLOGY	Selected BIN LED + optic diffuser + CPU software control
ACCESSORIES	Smart Vlock AC power supply, foldable Snapgrid, removable barn doors, cordura case, hard case
RIGGING OPTIONS	aluminum yoke with 16 baby receptacle combined with 28 junior pin, four sliding threads 1/4" for riggings located on panel sides

WIRE VIEW



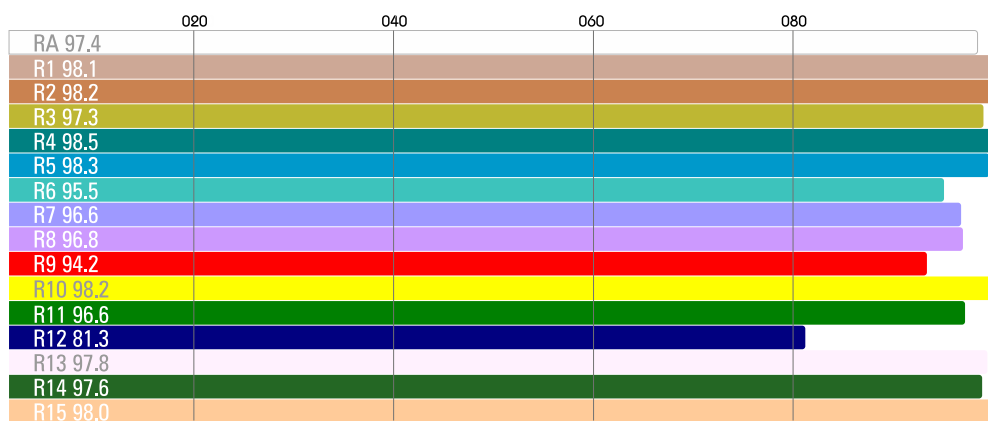
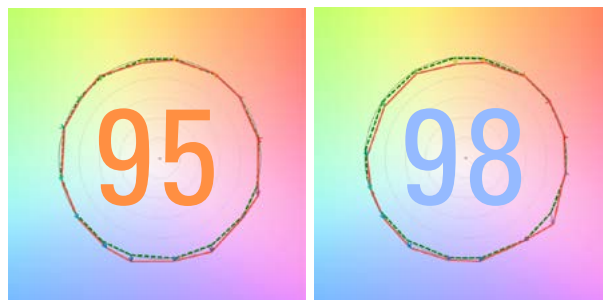
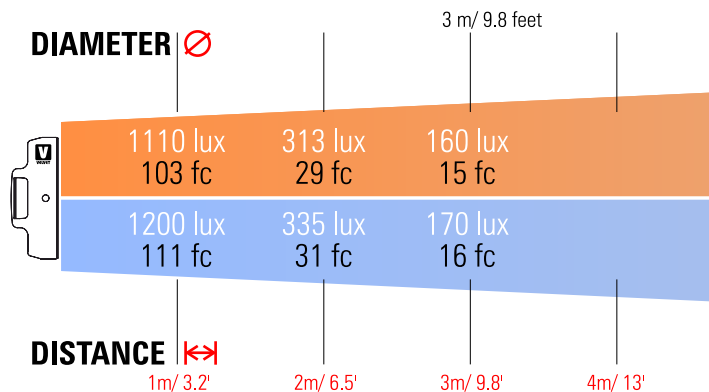
VELVET Mini 1 IP54

Ref.: VM1IP54VL

Datasheet: June 2021 / Page 3



PHOTOMETRICS



CCT 3231K



CCT 5638K







VELVET Mini 1 IP54

Ref.: VM1IP54VL

Datasheet: June 2021 / Page 4



ACCESSORIES

POWER SUPPLY		BEAM CONTROL	
			
VM1-PSU65WVL	VM1-PSU65WGL	VM1-RB	VM1-SG
TRANSPORT			
			
VM1-BAG	VM1-DBAG		