

VELVET Power 2 30° IP54

Ref.: VP2IP54

Datasheet: November 2021 / Page 1



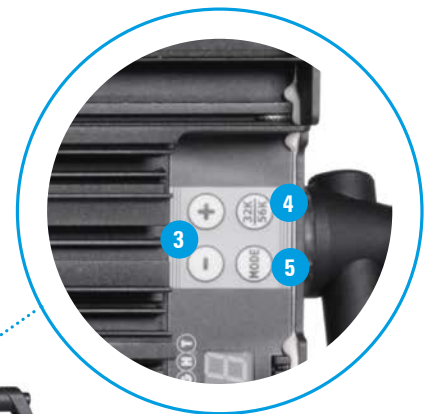
2x1 feet Bicolor weatherproof concentrated long distance beam light LED panel

[Click here for more product information](#)

VP2IP54 includes: 1x VELVET Power 2 Flood 30° IP54 LED panel, 1x yoke with 28mm junior pin-16mm baby receiver



1. XLR-3 DC IN
2. Power switch
3. +/− Adjustment buttons
4. 3200K/ 5600K Quick access button
5. Mode selection button (Dimmer/ Colour Temp)
6. Digital display
7. XLR-5 DMX In&Out



VELVET Power 2 30° IP54

Ref.: VP2IP54

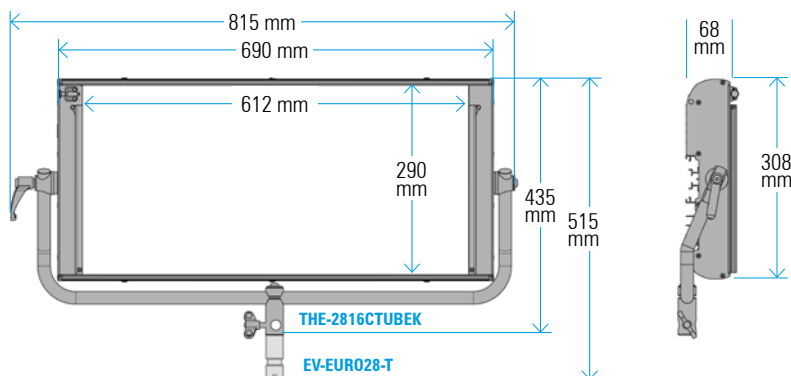
Datasheet: November 2021 / Page 2



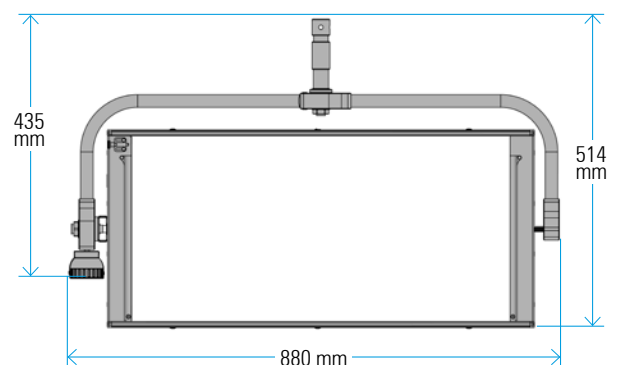
SPECIFICATIONS

| | |
|-----------------------|--|
| COLOUR TEMPERATURE | Adjustable from 2700K a 6500K (100K increments) |
| LIGHT INTENSITY | Dimmable 0 to 100 (smooth and flicker-free) |
| LOCAL CONTROL | Shock proof buttons and display |
| WIRE CONTROL | DMX DMX-RDM with XLR-5 IN connector |
| TLCI INDEX | 98 at 3200K and 96 at 5600K |
| PHOTOMETRICS | 4950 lux / 460 fc at 3m / 9.8 feet 1330 lux / 124 fc at 6m / 20 feet |
| BEAM ANGLE | 30° Nominal 45° With D25 filter 60° With D50 filter 105° With D100 filter 115° With DVELVET filter |
| DIMENSIONS | 690x308x68mm / 27.2"x12"x2.7" (panel) 815x435x68mm / 32.1"x17.1"x2.7" (panel+yoke) |
| WEIGHT | 7 kg / 15,5 lbs (panel) 7.6 kg / 16.7 lbs (panel + yoke) |
| POWER DRAW | 190W |
| POWER SUPPLY | 24-35V DC via XLR3 V-Lock or Gold mount battery plate 90-264V AC 50/60Hz |
| LED RATED LIFE | More than 50.000 hours |
| POWER CONNECTION | Neutrik XLR-3 DC In connector |
| OUTPUT FREQUENCY | 2000 fps |
| OPERATION TEMPERATURE | From -20°C to +40°C |
| COOLING | No-noise, fan-free passive cooling |
| PROTECTION | IP54 rainproof, indoor or outdoor use |
| VELVET LED TECHNOLOGY | Selected BIN High-power LED + VELVET custom optics + CPU software control |
| CONSTRUCTION & FINISH | Made of black powdercoated extruded and sheet aluminum |

VELVET Power 2 IP54 + MO Yoke



VELVET Power 2 IP54 + PO Yoke



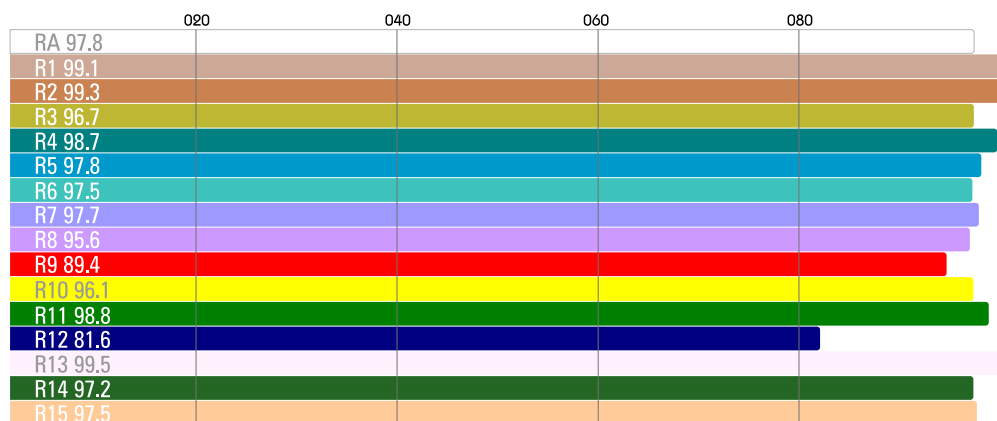
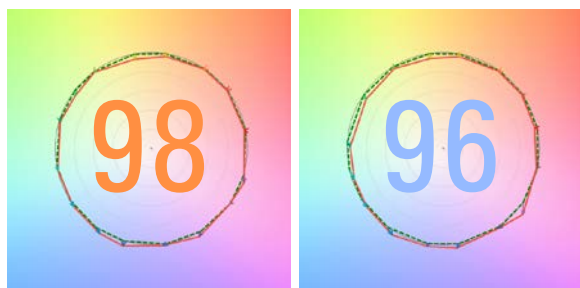
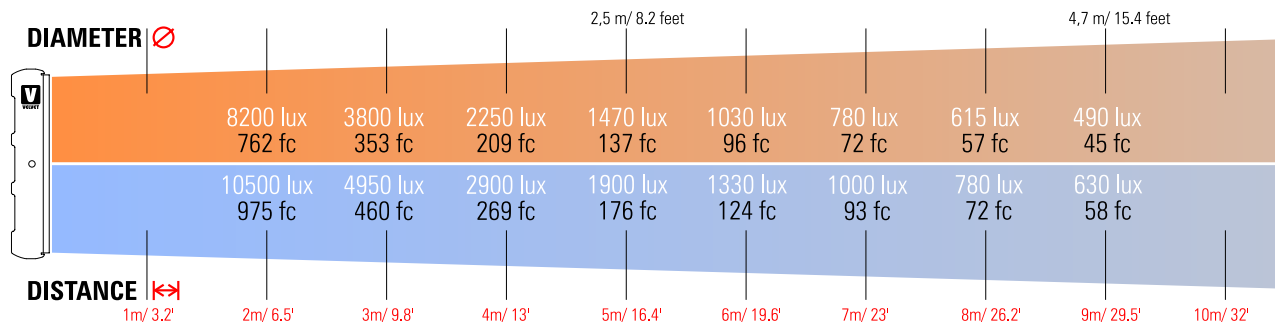
VELVET Power 2 30° IP54

Ref.: VP2IP54

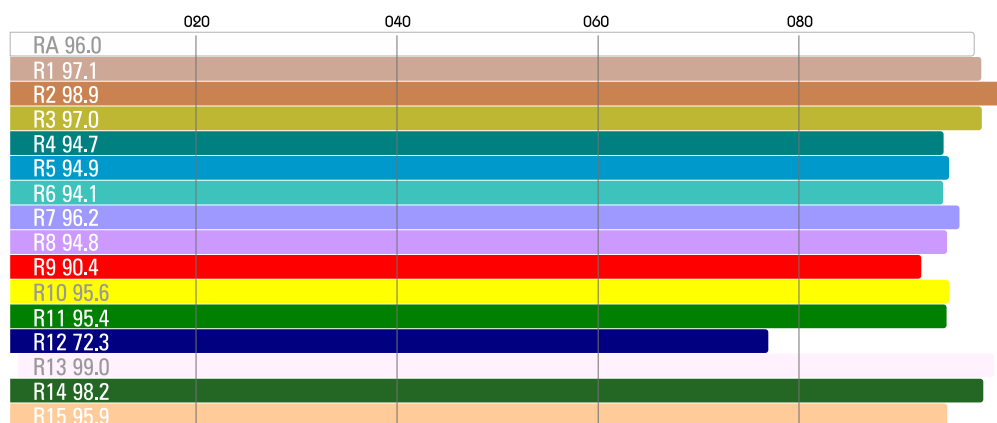
Datasheet: November 2021 / Page 3



PHOTOMETRICS



CCT 3220K



CCT 5440K

VELVET Power 2 30° IP54

Ref.: VP2IP54

Datasheet: November 2021 / Page 4



ACCESSORIES

POWER SUPPLY



VP2IP54-PSU

BATTERY ADAPTERS



VLOCK

VL2-



VL2-GOLD

BEAM CONTROL



VL2-RB



VP2-D25



VP2-D50



VP2-D100



VP2-DVL



VP2-FBAG



VL2-SG



VL2-SG20



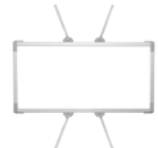
VL2-SG60



VL2-SB



VL2-SGXSB



2X1-RABBITREC



OCTA-SBR05



OCTA5-SG

TRANSPORT



VL2-BAG



VL2-CASE

RIGGING



VL2-QLS



VL2-YPO

REMOTE CONTROL



VL-RC