

VELVET Power 1 30° IP54

Ref.: VP1IP54

Datasheet: November 2021 / Page 1



1x1 foot bicolor weatherproof concentrated long distance beam light LED panel

[Click here for more product information](#)

VP1IP54 includes: 1x VELVET Power1 flood 30° IP54 LED panel, 1x yoke with 28mm junior pin-16mm baby receiver



1. XLR-3 DC IN
2. Power switch
3. + / - Adjustment buttons
4. 3200K / 5600K Quick access button
5. Mode selection button (Dimmer / Colour Temp)
6. Digital display
7. XLR-5 DMX In&Out

VELVET Power 1 30° IP54

Ref.: VP1IP54

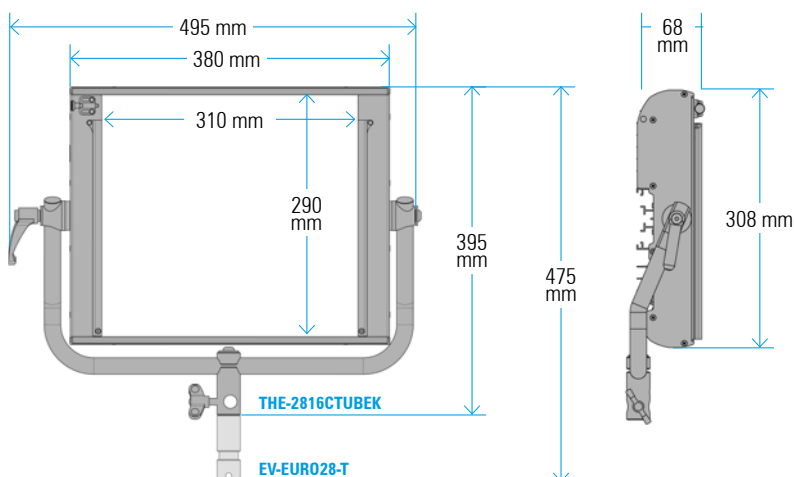
Datasheet: November 2021 / Page 2



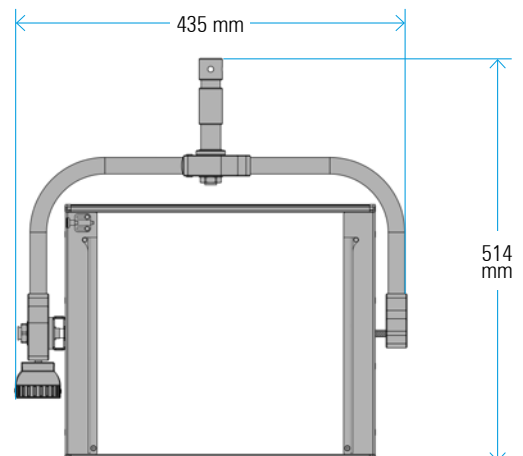
SPECIFICATIONS

COLOUR TEMPERATURE	Adjustable from 2700K a 6500K (100K increments)
LIGHT INTENSITY	Dimmable 0 to 100 (smooth and flicker-free)
LOCAL CONTROL	Shock proof buttons and display
WIRE CONTROL	DMX DMX-RDM with XLR-5 IN connector
TLCI INDEX	98 at 3200K and 96 at 5600K
PHOTOMETRICS	2150 lux / 200 fc at 3m / 9.8 feet 585 lux / 54 fc at 6m / 20 feet
BEAM ANGLE	30° Nominal 45° With D25 filter 60° With D50 filter 105° With D100 filter 115° With DVELVET filter
DIMENSIONS	380x308x68mm / 15"x12"x2.7" (panel) 495x395x68mm / 19.5"x15.5"x2.7" (panel + yoke)
WEIGHT	4.2 kg / 9.3 lbs (panel) 4.7 kg / 10.4 lbs (panel + yoke)
POWER DRAW	100 W / 0.91 Amps at 110 VAC
POWER SUPPLY	12-35V DC via XLR3 V-Lock or Gold mount battery plate 90-264V AC 50/60Hz
LED RATED LIFE	More than 50.000 hours
POWER CONNECTION	Neutrik XLR-3 DC In connector
OUTPUT FREQUENCY	2000 fps
OPERATION TEMPERATURE	From -20°C to +40°C
COOLING	No-noise, fan-free passive cooling
PROTECTION	IP54 rainproof, indoor or outdoor use
VELVET LED TECHNOLOGY	Selected BIN High-power LED + VELVET custom optics + CPU software control
CONSTRUCTION & FINISH	Made of black powdercoated extruded and sheet aluminum

VELVET Power 1 IP54 + MO Yoke



VELVET Power 1 IP54 + PO Yoke



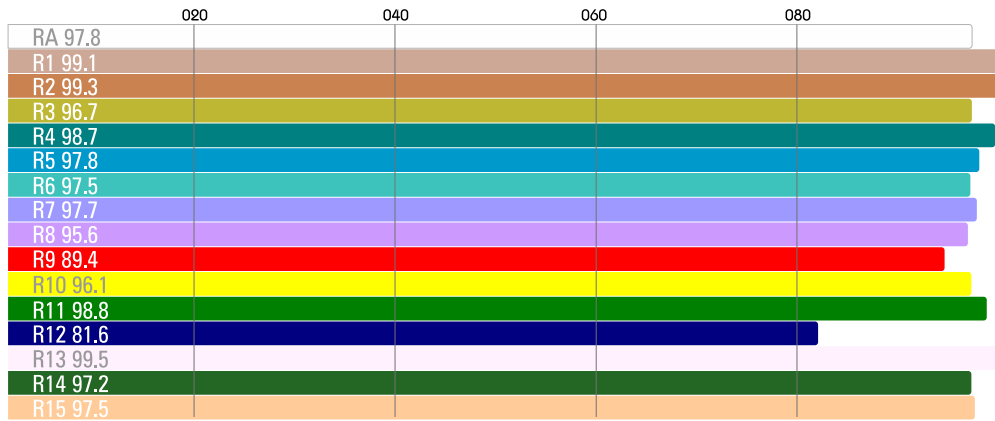
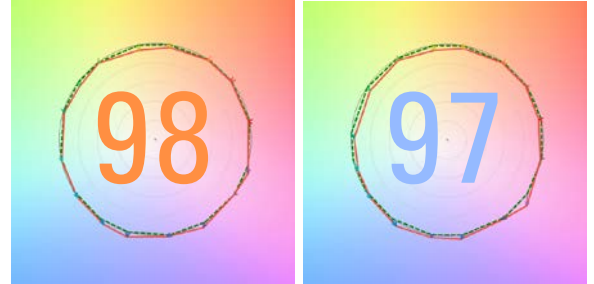
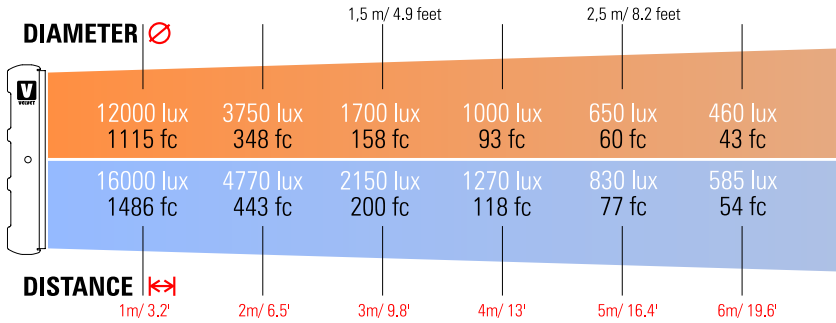
VELVET Power 1 30° IP54

Ref.: VP1IP54

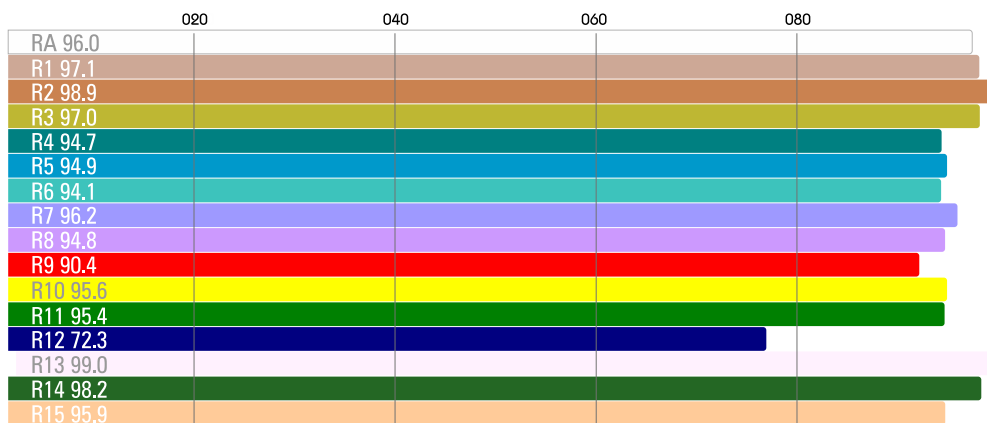
Datasheet: November 2021 / Page 3



PHOTOMETRICS



CCT 3220K



CCT 5440K

VELVET Power 1 30° IP54

Ref.: VP1IP54

Datasheet: November 2021 / Page 4



ACCESSORIES

POWER SUPPLY



VL-PSU120W



VLIP54-PSU120W

BATTERY ADAPTERS



VL1-VLOCK

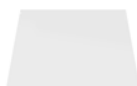


VL1-GOLD

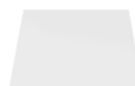
BEAM CONTROL



VL1-RB



VP1-D25



VP1-D50



VP1-D100



VP1-DVL



VP1-FBAG



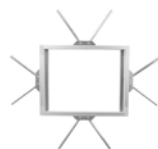
VL1-SG



VL1-SB



VL1-SGXSB



1X1-RABBITSQ



OCTA-SBR03



OCTA3-SG

TRANSPORT



VL1-BAG



VL1-DBAG



VL1-TBAG



VL1-CASE

REMOTE CONTROL



VL-RC